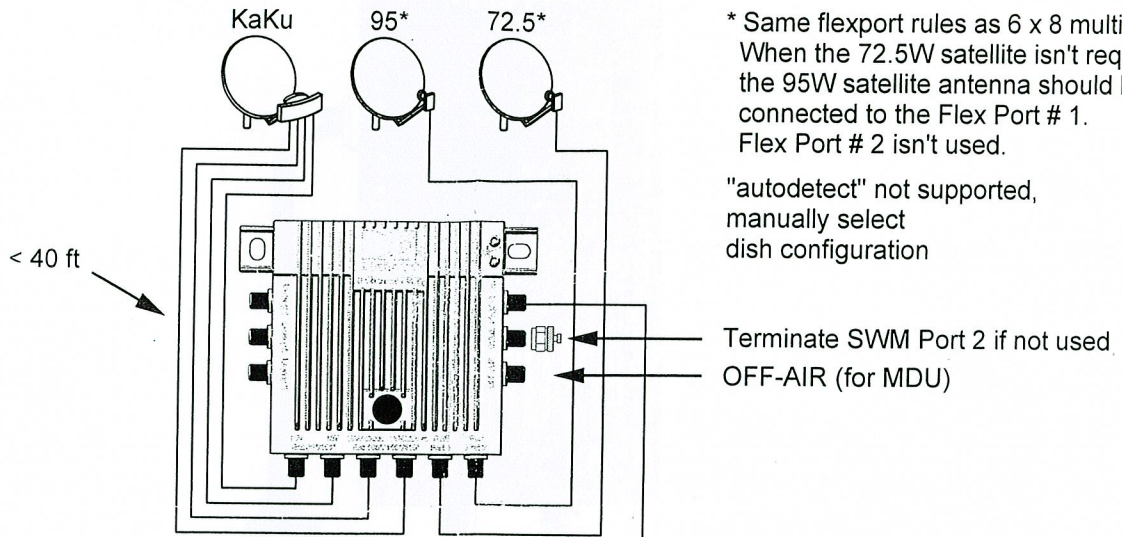


SWM-8

8 CH SWM Install Quick Reference Guide

Note: some equipment may be marked "FTM" instead of "SWM"



* Same flexport rules as 6 x 8 multiswitch. When the 72.5W satellite isn't required, the 95W satellite antenna should be connected to the Flex Port # 1. Flex Port # 2 isn't used.

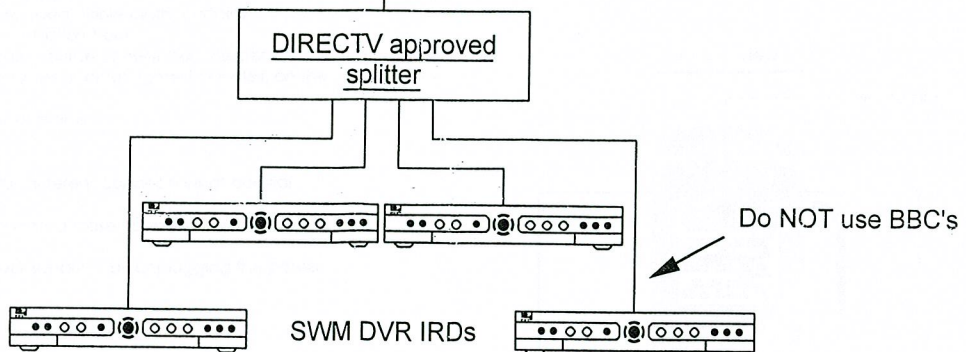
"autodetect" not supported, manually select dish configuration

CAUTION
IRD SAT port "F" Connector Shall Never be Connected to PI's SWM port (Red Connector). Doing So Will Damage the IRD

Power Inserter
(Indoor use only)

SWM to PI + PI to IRD =
200 ft max. RG6 cable
with or without a splitter

Terminate PI IRD port
if not used to connect IRD



DVRs use 2 channels each
Non DVRs use 1 channel each

Perform a Red button reset after connecting signal to IRD in order for it to configure to the new settings.
Do **Not** use "autodetect", manually select dish configuration

weaknees.com

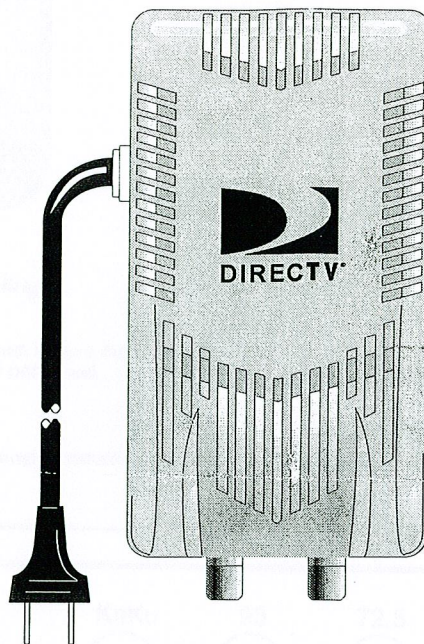


DIRECTV Inc.

2230 East Imperial Highway
El Segundo

Power Inserter for SWM

PI-28



SAFETY INSTRUCTIONS

Read Carefully these instructions before connecting the unit.
Keep these instructions.

The operating voltage is indicated on the nameplate located on the bottom part of the unit.

- To prevent fire, short circuit, shock hazard:
 - Do not expose the unit to rain or moisture.
 - Install the unit in a dry location without infiltration or condensation of humidity.
 - Do not expose it to dripping or splashing.
 - Do not place objects filled with liquids, such as vases, on the apparatus.
 - If any liquid should accidentally fall into the cabinet, disconnect the power plug from the electrical outlet.
 - Refer to qualified technician before its further operation.

To avoid any risk of overheating:

- Install the unit in a well aery location and keep a minimum distance of 10 cm around the apparatus for sufficient ventilation.
- See "Mounting instructions" for correct position.
- Do not place any item such newspapers, table-cloth, curtains ... on the unit that might cover the ventilation holes.
- The unit must not be exposed to any source of heat (sun, heater...).
- Do not place any naked flame sources, such as lighted candles, on the apparatus.
- Do not install the product in a dusty place.

Pull on the power plug to make the different connections of coaxial cables.

Ensure that the electrical outlet is located close up to the unit and is always easily accessible.

The only way to switch off the power supply is by unplugging the power plug from the electrical outlet.

To avoid electrical shock, do not open the housing.

Cleaning:

Only use a dry soft cloth to clean the cabinet.
Do not use solvent.

Servicing:

For repairing and servicing refer to qualified personnel.

Technical Specifications

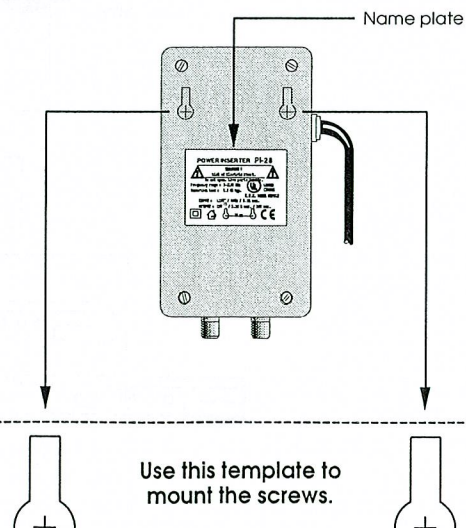
Frequency range :	2-2150 MHz
Insertion loss :	1.5 dB typ.
Input :	120V~ +6% -10% / 60 Hz / 0.9 A max. / 55 W max.
Output :	29 V ~ / 1.24 A max. / 36 W max.
Security :	Double insulated / Class II
Fuse protection :	250V / 2A 3S (UL fuse)
Power cord :	2 pole polarized male plug / 1.8 m
Connectors :	"F" type (red coloured) to SWM)
Environmental requirements :	Indoor use / IP : 30
Operating temperature range :	0 to 40°C
Dimensions :	142 x 73 x 58 mm



LISTED
E308986

I.T.E. POWER SUPPLY

Bottom view

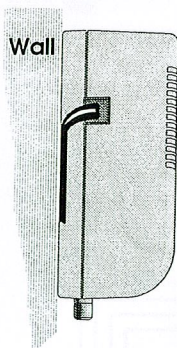


07/07



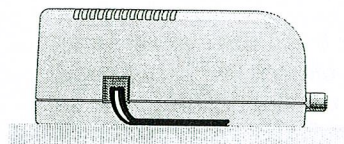
DIRECTV Inc.
2230 East Imperial Highway

Mounting instructions



Vertical Mounting

When Vertical Mounting is used, be sure the connectors are DOWNWARD positioned.



Horizontal Mounting

When horizontal mounting is used, be sure the bottom part of the device is on TOP of the horizontal surface.

Other ways of mounting the device are not allowed (e.g. upside down mounting)

Application

